

CognitiveTPG

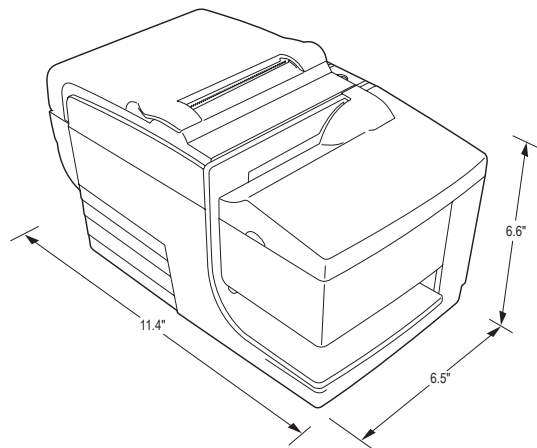
B780 Two-Color Hybrid Receipt/Validation Printer

Validation and Receipt Printing in Banking



“Simplifying the teller validation/receipt printing process.”

From the company that brought you the industry’s first thermal/impact hybrid transaction printer with integrated MICR and clam shell drop-in paper loading design, CognitiveTPG offers the banking market its hybrid printer model B780. The B780 features two-color/monochrome printing, graphic and image capability, and a small footprint (under 73 square inches) that fits almost anywhere.



- Fast, maintenance-free thermal receipt printer
- Drop validation impact print station with superior paper handling
- Built in MICR reader with 99% plus accurate read rates
- Cross selling and branding opportunities with our receipt marketing software
- Low total cost of ownership with multiple printhead technologies using thermal and impact printing for longer printhead and ribbon life
- Multiple communication interfaces
- Includes emulations of popular banking printers, including the A721, for easy replacement and installation



B780 Two-Color Hybrid Receipt/Validation Printer

PRODUCT HIGHLIGHTS

Performance and Reliability in a Small Package

Backed by a 2-year warranty, the B780 delivers maximum flexibility, performance, and reliability within a 73 square inch footprint. The B780 offers easy media loading and validation insertion, a paper low indicator, caution sensors, electronic journal, and multiple resident emulations for ease of use and superior performance.

A True Multifunctional Printer

With receipt printing, ticket validation (cash-in and cash-out) and check and form endorsement, the B780 is a true multifunctional printer. The optional MICR also reads information from checks, general ledger tickets, etc., with a 99% accuracy rate.

Marketing and Branding Opportunities

Enhance customer relations using our receipt marketing software. Financial ReceiptWare™ can turn every receipt ticket into a marketing and branding opportunity. Simply add logos, watermarks, margin messages, customer surveys, or highlight promotions like online banking, new CD rates, etc.

TECHNICAL SPECIFICATIONS

	RECEIPT STATION	SLIP STATION
Print Method	Direct Thermal, 203 DPI	9-Pin Impact
Character Cell Size	13x24, 10x24	7x7, 12x7, 5x9
CPI	15, 6, 20.3	13.9 & 16.8
Print Columns	44 & 56	42 & 51
Print Line Width	2.8 in. (72 mm)	3.02 in. (76.8 mm)

CHARACTER SETS & BARCODES

Resident Code Pages	437, 737, 850, 852, 857, 858, 860, 862, 863, 865, 866, 1251, 1252, and 1255
UPC-A, UPC-E, JAN8, JAN13 (EAN), Code 39, Code 93 Interleaved 2 of 5, Codabar, Code 128, Code 128 extended, EAN 128, RSS, QR, PDF-417	

FEATURES

Printing Speed	Monochrome 74.0 LPS (250 mm/sec) 4.8 LPS (16 mm/sec); Two-color 27 LPS (100 mm/sec)
Auto Cutter	Partial Cut
Emulations Available	Application compatible escape commands, CognitiveTPG A756, A758, and Axiohm A721, Unisys/DH4700, and NCR5021.
Data Buffer	8K
User Memory	Up to 2 MB; shared for graphics, logos, user defined characters and user data storage
Communication	Dual 9-pin RS-232/USB, 25-pin RS-232, PoweredUSB
Power	24 VDC
Options	MICR Reader

MICR READER

Character sets/fonts	E-13B and CMC-7, auto discriminate (Integrated in slip station)
Check Read Rate	99% minimum
Parsing Formats	E-13B only. Programmable to any format

THERMAL PAPER AND RIBBON REQUIREMENTS

Paper Type	Direct Thermal, POS Grade(s), special paper for color
Paper Roll (W X Dia.)	3.15 in. X 3.27 in. (80 mm X 83 mm)
Slip Station Ribbon Type	A152-0042 Black (5 million character)

IMPACT SLIP FORMS

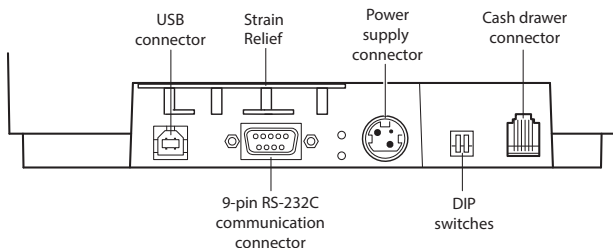
Size	2.75 in. X 5.00 in. (69.85 mm x 127.00 mm) minimum front & side
Max. Form Length	11.00 in. (279.4 mm)
Number of Plies	1 - 4 ply multipart
Paper Thickness	0.014 in. maximum (0.35 mm)

RELIABILITY

Thermal Print Mechanism	216 KM paper (64 M lines) monochrome 216 KM two-color (57 M lines)
Auto Knife Cutter	2 million cuts
Impact Print Mechanism	15 million lines
Impact Printhead	200 million characters
MICR reader	200,000 Reads
Warranty	2 years

DIMENSIONS

Footprint (W"x D"xH")	6.5in.X 11.4in.X 6.6in. (165.10 mm X 289.56 mm X 167.64 mm)
Weight	8 lbs. (printer only) 13 lbs. (w./carton, pads, and included accessories)



RS232 Serial and USB Interface Shown Above

PRINTER DRIVERS

Windows Mini Drivers for XP, Vista, 7 & 8, RS-232 Emulation Driver for USB

CERTIFICATIONS

EMC emissions: EN55022:1998 Class B ITE emission requirements (EU); FCC 47 CFR Part 15, Class B emissions requirements (USA), AS/NZS 3548:2002/CISPR22 Class B ITE emission requirements (Australia); EMC Immunity: EN55024:1998/A1:2001 Information technology equipment (EU)